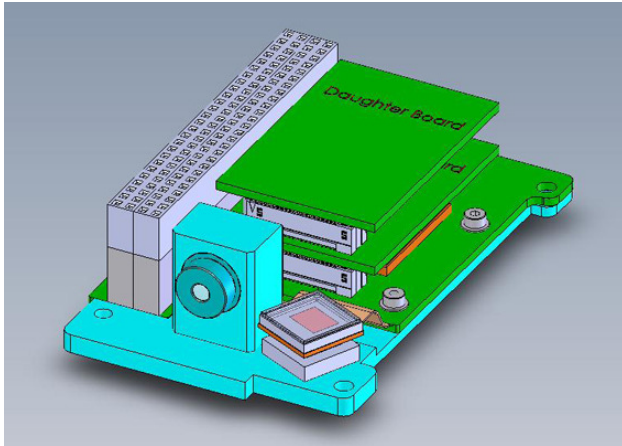


The Open University – e2v CMOS Imager Demonstrator

The CMOS Imager Demonstrator instrument is being developed as a collaboration between the Centre for Electronic Imaging at Open University (www.open.ac.uk/cei) and e2v technologies, a world-leading supplier of scientific imagers into the space market (www.e2v.com).



This imager is based on a new sensor technology which is being developed and evaluated for space use, based on 0.18 micron CMOS technology. The instrument, which is largely being developed by e2v-sponsored PhD students, will be designed to perform a variety of imaging tasks, including taking pictures of the earth, and to be an experimental test-bed for radiation damage effects in space.